

GRP Sectional Cold Water Storage Tanks
Manufacturing Tanks Since 1973



TRICEL

GENERATIONS OF INNOVATION

Sectional Tank Brochure



www.tricel.ie

GRP Sectional cold water storage tanks

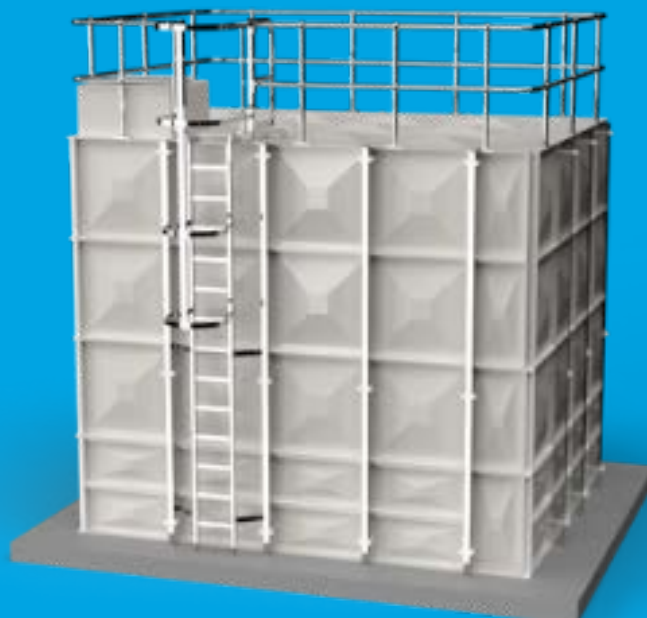
We are one of the few companies who possess the technical expertise and the advanced manufacturing facilities - not only to produce hot press moulded tanks but also to produce in-house, the single most important element, Sheet Moulding Compound (SMC).

This advanced composite, SMC, is manufactured in Killarney with all the necessary characteristics that are required, being incorporated into the design.

Our experience in composites technology extends over 40 years, during which time we have grown to become a market leader, having achieved a pre-eminent position in our chosen field.

Drawing upon 40 years' experience in the GRP industry, Tricel is in a unique position to offer a range of superior systems to our customers. We are totally committed to the pursuit of excellence and are accredited to the quality standard ISO 9001.

- ISO 9001 accredited
- 40 years' service to the construction industry
- Backup of trained and experienced technical staff
- Site assembly by fully trained personnel
- Suitable for the storage of potable water
- Available insulated to Format 30 (F30)
- Design and supply of steel towers for elevated sites
- Internally or externally flanged base available
- Light or heavy covers available



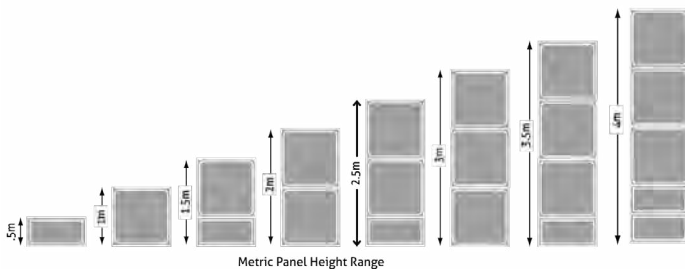
Panel types and sizes

Tank panels are available in metric size. There are no restrictions to the length or width available.

Metric tanks are available to a height of 4m.

Tank lengths, widths and heights are available in half panel increments i.e. 6.65m x 4.65m x 2.5m (h)

Capacity Tables - Metric Panels															
Panel sizes available: 1m x 1m, 1m x 0.5m, 0.5m x 0.5m. Tank sizes given in this table are based on their external dimensions which are 150mm greater than the internal dimensions. Nominal capacities are calculated based on internal dimensions as follows: INTERNAL LENGTH x WIDTH x HEIGHT IN METRES = M3 x 1000 = Litres (divided by 4.546 = Gallons).															
Ext length	Ext width	1m high	1.5m high	2m high	2.5m high	3m high	3.5m high	4m high							
m	m	litres	gallons	litres	gallons	litres	gallons	litres	gallons	litres	gallons	litres	gallons	litres	gallons
1.15	1.15	1000	220	1500	330	2000	440	2500	550	3000	660	7875	1732	9000	1980
1.65	1.15	1500	330	2250	495	3000	661	3750	826	4500	991	9529	2096	7590	1670
2.15	1.65	3000	660	4500	991	6000	1322	7500	1651	9000	1982	16179	3559	14190	3121
2.65	1.15	2500	550	3750	825	5000	1101	6250	1377	7500	1652	24579	5407	12190	2681
2.65	1.65	3750	825	5625	1278	7500	1652	9375	2065	11250	2478	15304	3366	17490	3847
2.15	1.15	2000	440	3000	660	4000	880	5000	1,100	6000	1320	8654	1904	9890	2176
2.15	2.15	4000	880	6000	1320	8000	1760	10000	2200	12000	2640	16179	3559	18490	4067
3.15	1.15	3000	660	4500	990	6000	1320	7500	1650	9000	1980	12679	2789	14490	3187
3.15	2.15	6000	1320	9000	1980	12000	2640	15000	3300	18000	3960	23704	5214	27090	5959
3.15	3.15	9000	1980	13500	2970	18000	3960	22500	4949	27000	5939	34729	7639	39690	8731
4.15	1.15	4000	880	6000	1320	8000	1760	10000	2200	12000	2640	16704	3674	19090	4199
4.15	2.15	8000	1760	12000	2640	16000	3520	20000	4399	24000	5279	31229	6870	35690	7851
4.15	3.15	12000	2640	18000	3960	24000	5279	30000	6599	36000	7919	45754	10065	52290	11502
4.15	4.15	16000	3520	24000	5279	32000	7039	40000	8799	48000	10559	60279	13260	68890	15154
5.15	1.15	5000	1100	7500	1650	10000	2200	12500	2750	15000	3300	20729	4560	23690	5211
5.15	2.15	10000	2200	15000	3300	20000	4399	25000	5499	30000	6599	38754	8525	44290	9743
5.15	3.15	15000	3300	22500	4949	30000	6599	37500	8249	45000	9899	56779	12490	64890	14274
5.15	4.15	20000	4399	30000	6599	40000	8799	50000	10999	60000	13198	74804	16455	85490	18806
6.15	1.15	6000	1320	9000	1980	12000	2640	15000	3300	18000	3960	24754	5445	28290	6223
6.15	2.15	12000	2640	18000	3960	24000	5279	30000	6599	36000	7919	46279	10180	52890	11634
6.15	4.15	24000	5279	36000	7919	48000	10559	60000	13198	72000	15838	89329	19650	102090	22457
6.15	5.15	30000	6599	45000	9899	60000	13198	75000	16498	90000	19798	110854	24385	126690	27868
6.15	6.15	36000	7919	54000	11879	72000	15838	90000	19798	108000	23757	132379	29120	151290	33280
7.15	1.15	7000	1540	10500	2310	14000	3080	17500	3850	21000	4619	28779	6331	32890	7235
7.15	2.15	14000	3080	21000	4619	28000	6159	35000	7699	42000	9239	53804	11835	61490	13526
7.15	3.15	21000	4619	31500	6929	42000	9239	52500	11549	63000	13858	78829	17340	90090	19817
7.15	6.15	42000	9239	63000	13858	84000	18478	105000	23097	126000	27717	153904	33855	175890	38691
7.15	7.15	49000	10779	73500	16168	98000	21557	122500	26947	147000	32336	178929	39360	204490	44982
8.15	1.15	8000	1760	12000	2640	16000	3520	20000	4399	24000	5279	32804	7216	37490	8247
8.15	2.15	16000	3520	24000	5279	32000	7039	40000	8799	48000	10559	61329	13491	70090	15418
8.15	3.15	24000	5279	36000	7919	48000	10559	60000	13198	72000	15838	89854	19765	102690	22589
10.15	5.15	50000	11013	75000	16520	100000	22026	125000	27533	150000	33039	182954	40245	209090	45994
16.15	6.15	96000	21145	144000	31718	192000	42290	240000	52863	288000	63436	347629	76469	397290	87393
48.15	24.15	1.15m	25330	1.73 m	381057	2.31 m	508810	2.88 m	634361	3.45 m	759911	4069879	895266	4651290	1023161



Access for erection: Full access specifications are available on our website. Please phone sales on +353 (0) 64 6632421 for any technical help that you may require, or simply to size a tank into the space available to you.

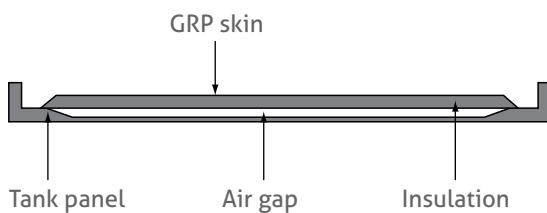
Our trained technical staff are here to help and advise you, to ensure that you achieve the most economical solution on all of your water storage requirements.

Format 30

Format 30 is Tricel's description of tanks with Heavy Duty panel covers, complete with screened vents, overflows, warning pipes etc. and having roof panels and side walls insulated with encapsulated CFC-Free polyurethane foam insulation. This meets the requirements of section 30 of the water bye laws in the majority of situations. Tanks in boiler rooms etc. may also need base insulation.

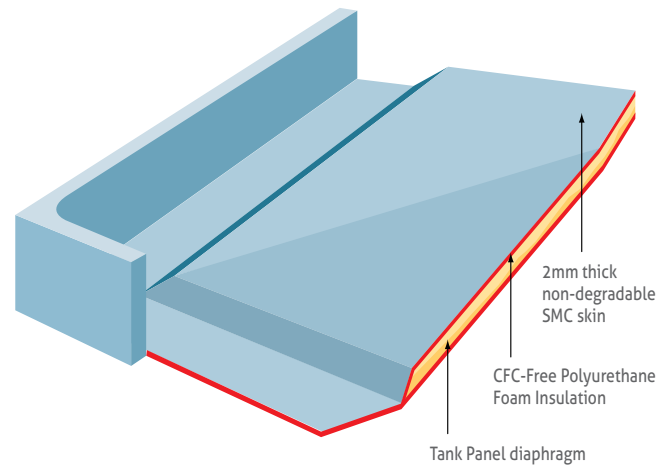
Please Note:

Insulation slows down but does not prevent heat loss or gain over protracted periods. Additional information is available in BS EN 13280:2001 & BS EN 806-1:2000, BS EN 806-2:2005, BS EN 806-3:2006, BS EN 806-4:2010, BS EN 806-5:2012, BS 8558:2011



Tanks Insulated and finished to Format 30

Note: This is only an example of one type of insulation skin, there are different arrangements for different types of tanks.



Pipe Connections for Insulated Cold Water Storage Tanks

The areas where pipe connections can be made on insulated tanks are more restricted than in standard tanks, the picture shows a recess in the insulation panel to allow for the pipe connection.



- Current legislation states that hot or cold water in any premises that might be used for human consumption must be of potable quality.
- In addition to tank material specifications, there are now further requirements for lid design, the screening of vents, breathers, overflows, warning tell-tale pipes and the provision of insulation which will help prevent freezing and also help keep water as cool as practicable, ideally less than 20 °C.

Guidelines for different models of tanks

- **Standard tank**

This tank is complete with internally flanged base, externally flanged side walls. All under water stays are stainless Steel.

- **Light duty cover**

Only suitable for indoor use, and for the storage of foul water. They are not designed to take man weight.

- **Heavy duty cover**

Suitable for indoor and outdoor use, and for the storage of foul water. These tanks have internally flanged lid panels, similar to those used in the base.

- **Heavy duty cover and finished to format 30**

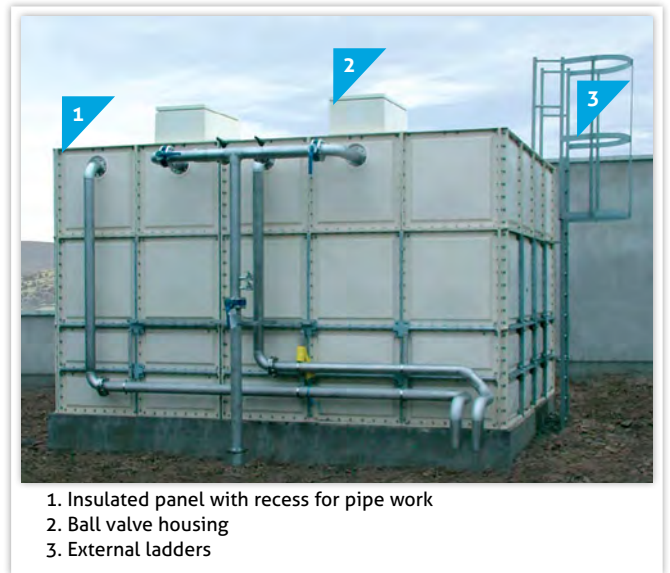
Suitable for indoor, outdoor use and for the storage of potable (drinking)water.

- **Types of bolts**

Standard tanks come complete with bolts galvanised to BS EN ISO 1461:2009, we recommend that consultants specify Stainless Steel grade 316 S16 bolts under water.

- **Dividers**

In any situation where there is only one water storage tank in a building and the capacity is greater than 1000 litres (220 gallons), BS 6700 states "To avoid interruption of the water supply when carrying out repairs or maintenance, the cistern shall be provided with compartments or standby cistern". *Note:* we recommend that two separate tanks be used, where an uninterrupted water supply is critical.



- **Ball Valve housing**

Enclosed chamber containing an access hatch above the level of the cover, permitting the level control mechanism to be mounted at a higher level than would otherwise be possible.

- **Ladders**

Where tank depth is 1.5 m or greater, internal and external ladders should be specified. If the tank is on a raised platform then ladders may be required on tanks lower than this height.

- **Reverse base tanks**

(Externally flanged base) These types of tanks allow the tank to be totally drained down, as the base is flat and they also allow access to all the bolts from outside the tank.

- **Weir**

Construction of one or more panels within a tank, which divides the tank but to less than its full depth such that the contents can spill over from one side of the weir to the other.

- **Baffle**

Construction of one or more panels within a tank, which partially subdivides the tank in order to increase the length of the flow-path between the inlet and the outlet from the tank.



Tricel is a global provider of high performance solutions for the Water, Environmental, Construction and Materials industries. Our company ethos "Generations of Innovation" is built around three interlinking themes; Innovation, Quality and Heritage, which have been developed over the last 40 years. We deliver innovative quality solutions that our customers can trust. With manufacturing locations in 5 countries we possess a broad and distinct range of capabilities enabling us to supply a comprehensive range of products to over 50 countries worldwide.

One-piece tanks

Tricel manufactures a variety of One-Piece cold water storage tanks. These durable Fibreglass (GRP) tanks are easy to install and represent excellent value for money. They come in sizes from 45 to 4,546 Litres and are available ex-stock.

All of our One-Piece tanks can be supplied Factory Insulated to Format 30, thus meeting requirements for Break Tanks. All capacities are nominal.

Modular building systems

The modular building system is constructed of GRP (fibreglass) modules to various sizes and colours to meet customers specifications.

Architecture

Modular building systems can help you meet strict planning regulations, by hiding unsightly booster-sets, pumps, air-conditioning systems & water tanks. These Modular systems from Tricel can help blend rooftops into more natural surroundings.

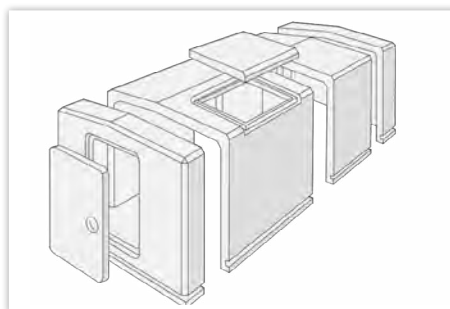
Lowline housings - insulated housings for tanks and equipment

Lowline insulated housing systems offer complete design flexibility for use in many applications, from a simple tank housing to a complex extended insulated covering for duct and pipework runs. Unit height can be varied by adjusting the dwarf walls on which it stands.

Tricel's design department are always available for consultation, technical advice and assistance. We have many years of experience in the construction industry and can offer sound advice on our products in association with particular building applications.

Liquid storage tanks

Liquid storage tank systems for below or above ground applications, with the provision of a storage capacity of 15,000 litres and upwards. They are designed primarily for buried sites, where below ground storage is required for climactic or environmental reasons. The walls are formed from rigid, flanged, self-supporting, hemi-cylindrical GRP sections.



TRICEL
GENERATIONS OF INNOVATION

Tricel (Killarney) Unlimited Company, Ballyspillane Industrial Estate, Killarney, Co. Kerry, Ireland.
Tel: +353 (0) 64 6632421 | Email: sales@tricel.ie | www.tricel.ie

In accordance with Tricel's normal policy of product development these specifications are subject to change without notice.
Tricel (Killarney) Unlimited Company trade as Tricel